

Laying Techniques for Homogeneous and Multilayered Rolls Compact or Acoustic



Ambient temperature



Floor temperature

According to the local Standard

Always check the material before starting work in order to avoid problems with visible defects.

Please inform GERFLOR of any visible defects discovered and do not start work without their approval.

• 1 - MATERIAL INSPECTION

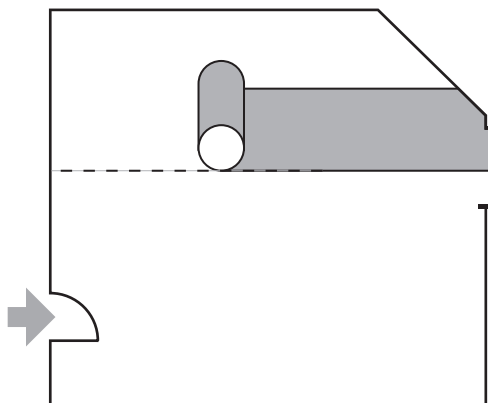
- Rolls are clearly marked with batch numbers and the product should be checked for match before installing.
- Inspect all materials carefully to verify that correct colors, lot number, patterns, quality and quantities have been shipped as ordered. Do not install, cut, or fit any material that has visible defects.
- A contractor that installs material that has visible defects or damage without prior consent of Gerflor deems the product acceptable for installation and therefore accepts full responsibility.

NOTE: Rolls have directional arrows on the backside or on the paper craft and should be installed as recommended.

Unlay the rolls 24 hours prior to installation.

• 2 - POSITIONING

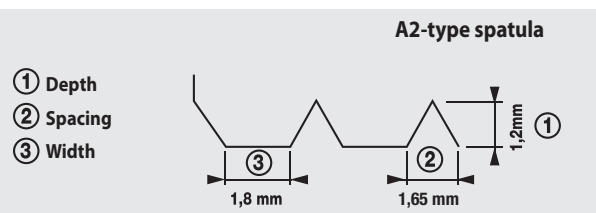
- As far as possible, and depending on the width of the rolls, seams between strips should be kept away from likely areas of heavy use.
- Within rooms, the strips should be laid towards the main window wall or in a lengthwise direction.



Apply the flooring along the chalk line.

• 3 - GLUING AND FITTING

- Glue down 24 hours after positioning
- Using acrylic emulsion adhesive.
- Spreading is with a fine toothed A2 type (TKB specification)
- Notched trowel giving an adhesive consumption rate of 300 / 350 g/m².
- To achieve this distribution, blades have to be changed regularly



IMPORTANT:

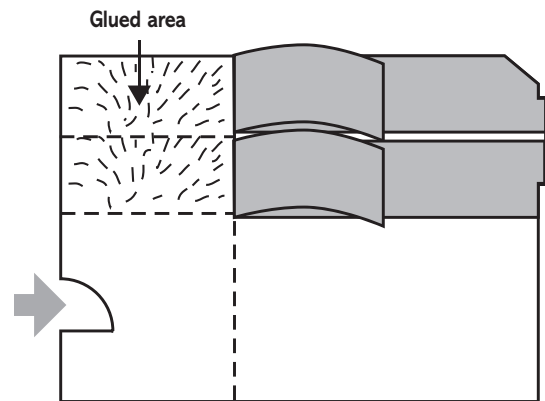
- Welding joints: Leave a space of 1 mm between the strips.
- Cold seaming: Overlap the strips in order to cut flush edges.

NOTE:

Closely follow the adhesive manufacturer's instructions with particular regard to its waiting time.

Consumption and spatula are recommended by Gerflor. Room temperature and humidity, sub-floor absorption and adhesive consumption are important to have a perfect adhesion.

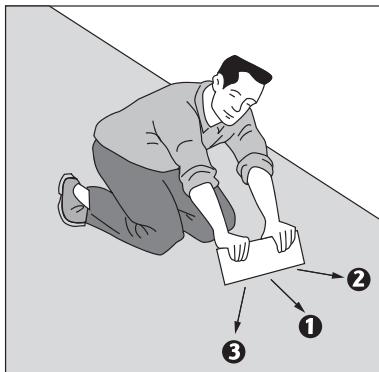
- Too short waiting time and bubbling will occur.
- Too long waiting time will result in poor transfer of the adhesive to the flooring (Schema).
- Ensure that just sufficient adhesive is applied to the sub-floor which corresponds to the number of sheets being installed so that the adhesive's waiting time is not exceeded.
- Apply adhesive to an area no larger than can be covered within the glue's working time
- Remove any surplus glue spots whilst work is in progress
- Fold the strips half back
- Spread the adhesive on the floor and lay the material against the chalk line
- Repeat this procedure with the other halves
- Do not overlap 2 films of glue when starting to apply the adhesive
- Remove any surplus glue spots whilst work is in progress
- Within corridors, the strips should be laid in the direction of pedestrian traffic unless stated otherwise in the contract specifications.



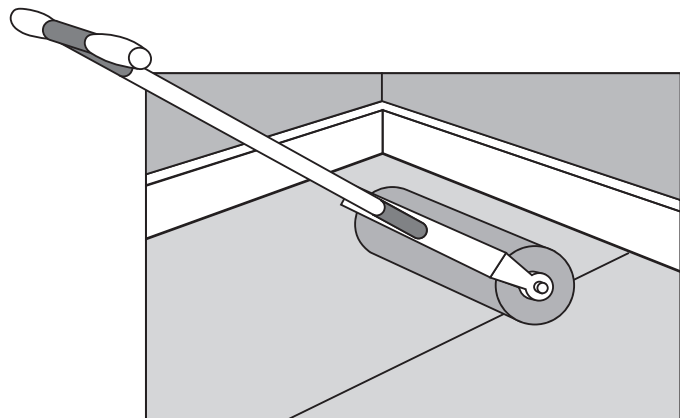
Fold back half of the strips when applying glue to the floor

• 4 - ROLLING OUT

This must be done in two stages:



Stage 1: Pressing down manually



Stage 2: Using a 50 Kg roller

- Manually, using a cork smoothing press
- Rolling out over the entire surface with a 50 Kg roller when installation is complete

• 5 - WELDING

Heat welding need to leave a small gap (thickness of a credit card) between the sheets during the gluing process

Chemical welding (SG 916) need perfect straight edges. Practice an overlap cutting during gluing process.

See Welding techniques.

• 6 - PUTTING INTO SERVICE – TRAFFICKING

After installation:

- For normal pedestrian traffic, allow 48 hours
- Before moving or installing furniture, allow 72 hours
- Do not use rubber furniture feet

For under-floor heating, do not turn on the heating for 7 days after installing the tiles